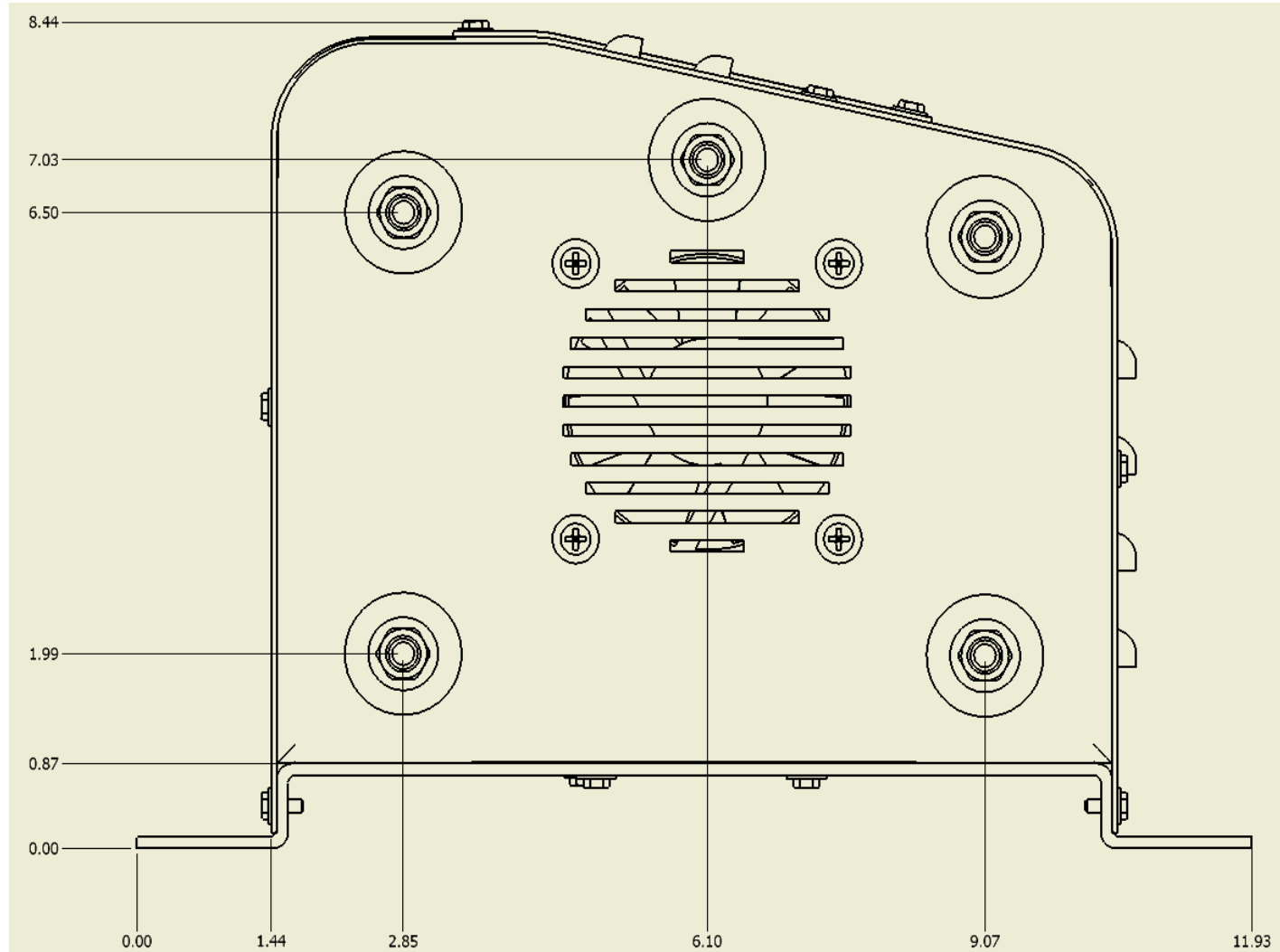


# HT2000 Additional Dimensions

## DC Stud Connectors



**AC IN/OUT Provision**

